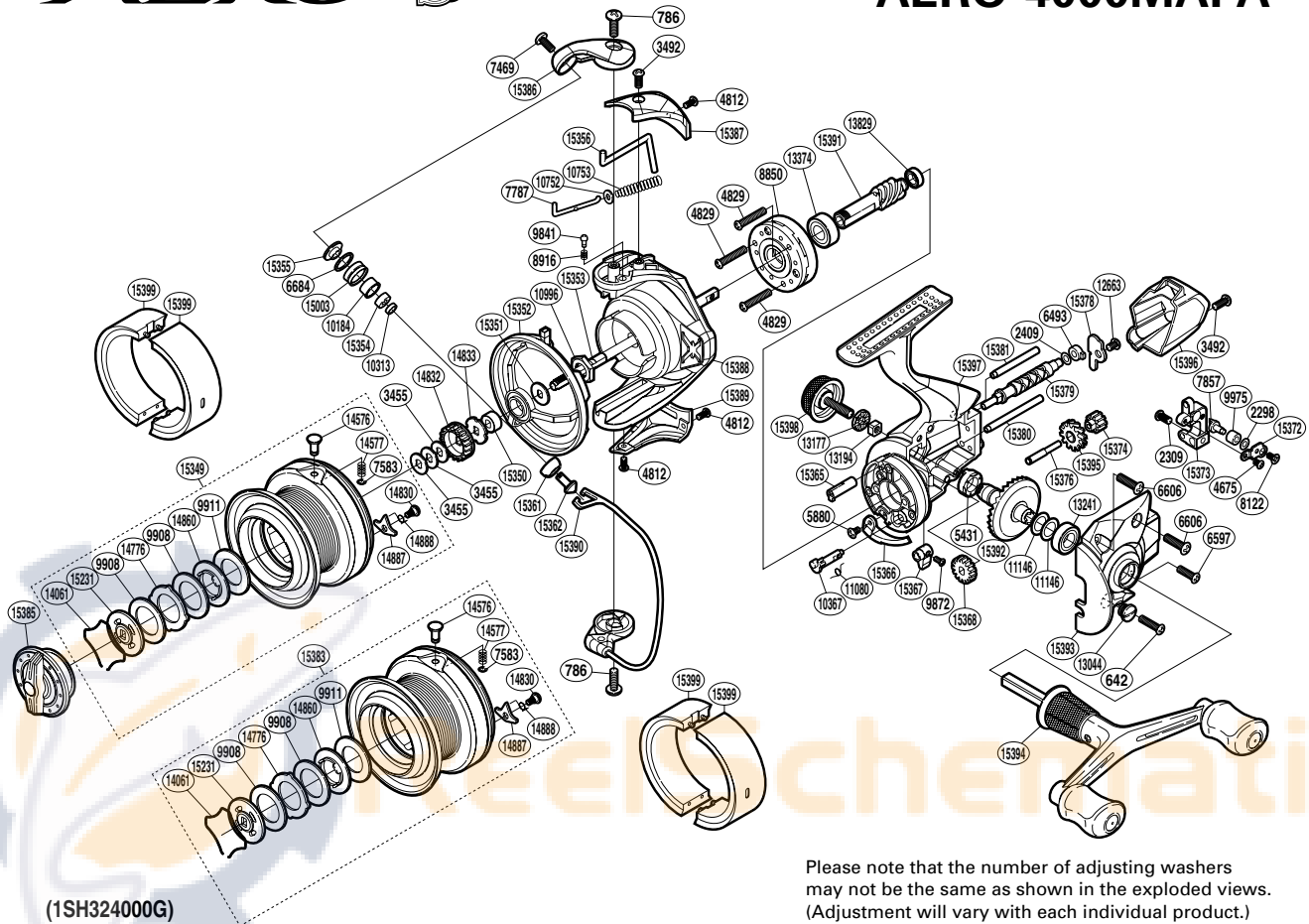


SHIMANO

AERO S A-RB

AERO-4000MAFA



Please note that the number of adjusting washers may not be the same as shown in the exploded views. (Adjustment will vary with each individual product.)

Part No.	Description	Part No.	Description	Part No.	Description
RD 0642	Screw	RD10753	Bail Spring	RD15362	Line Roller Support
RD 0786	Screw	RD10996	Rotor Nut	RD15365	Worm Bushing (front)
RD 2298	Spacer	RD11080	Anti-Reverse Cam Spring	RD15366	Bail Trip Strike
RD 2309	Screw	RD11146	Washer	RD15367	Anti-Reverse Lever
RD 2409	Spacer	RD12663	Screw	RD15368	Idle Gear
RD 3455	Spool Washer	RD13044	Oil Cap	RD15372	Oscillating Pawl Cover
RD 3492	Screw	RD13177	Handle Screw Cap Spacer	RD15373	Oscillating Slider
RD 4675	Screw	RD13194	Handle Screw Lock	RD15374	Idle Gear B (small)
RD 4812	Screw	RD13241	Ball Bearing	RD15376	Idle Gear B Shaft
RD 4829	Screw	RD13374	Ball Bearing	RD15378	Worm Shaft Retainer
RD 5431	Drive Gear Bushing	RD13829	Ball Bearing	RD15379	Worm Shaft
RD 5880	Screw	RD14061	Drag Washers Retainer	RD15380	Oscillating Guide A
RD 6493	Worm Bushing (rear)	RD14576	Line Clip	RD15381	Oscillating Guide B
RD 6597	Screw	RD14577	Line Clip Spring	RD15385	Drag Knob
RD 6606	Screw	RD14776	Eared Washer	RD15386	Bail Arm
RD 6684	Line Roller Spacer	RD14830	Screw	RD15387	Bail Spring Cover
RD 7469	Screw	RD14832	Spool Support A	RD15388	Rotor
RD 7583	E Lock	RD14833	Spool Support B	RD15389	Bail Hold Support Guard
RD 7787	Bail Spring Guide A	RD14860	Key Washer	RD15390	Bail Assembly
RD 7857	Oscillating Pawl	RD14887	Drag Click	RD15391	Pinion Gear
RD 8122	Screw	RD14888	Click Spring	RD15392	Drive Gear
RD 8850	Roller Clutch Assembly	RD15003	Line Roller	RD15393	Side Cover
RD 8916	Click Spring	RD15231	Key Washer	RD15394	Double Paddle Handle Assembly
RD 9841	Click Pin	RD15349	Spool Assembly	RD15395	Idle Gear B (large)
RD 9872	Screw	RD15350	Line Safety Guard Spacer	RD15396	Rear Protector
RD 9908	Drag Washer	RD15351	Line Safety Guard Washer	RD15397	Body
RD 9911	Drag Washer	RD15352	Line Safety Guard	RD15398	Handle Screw Cap
RD 9975	Oscillating Slider Bushing	RD15353	Main Shaft		
RD10184	Line Roller Bushing	RD15354	Line Roller Collar	RD15383	Spare Spool Assembly
RD10313	Bearing Spacer	RD15355	Line Roller Washer		
RD10367	Anti-Reverse Cam	RD15356	Bail Trip Lever		
RD10752	Bail Spring Guide A Support	RD15361	Line Roller Support Cover	RD15399	Spool Economizer M (accessory)